

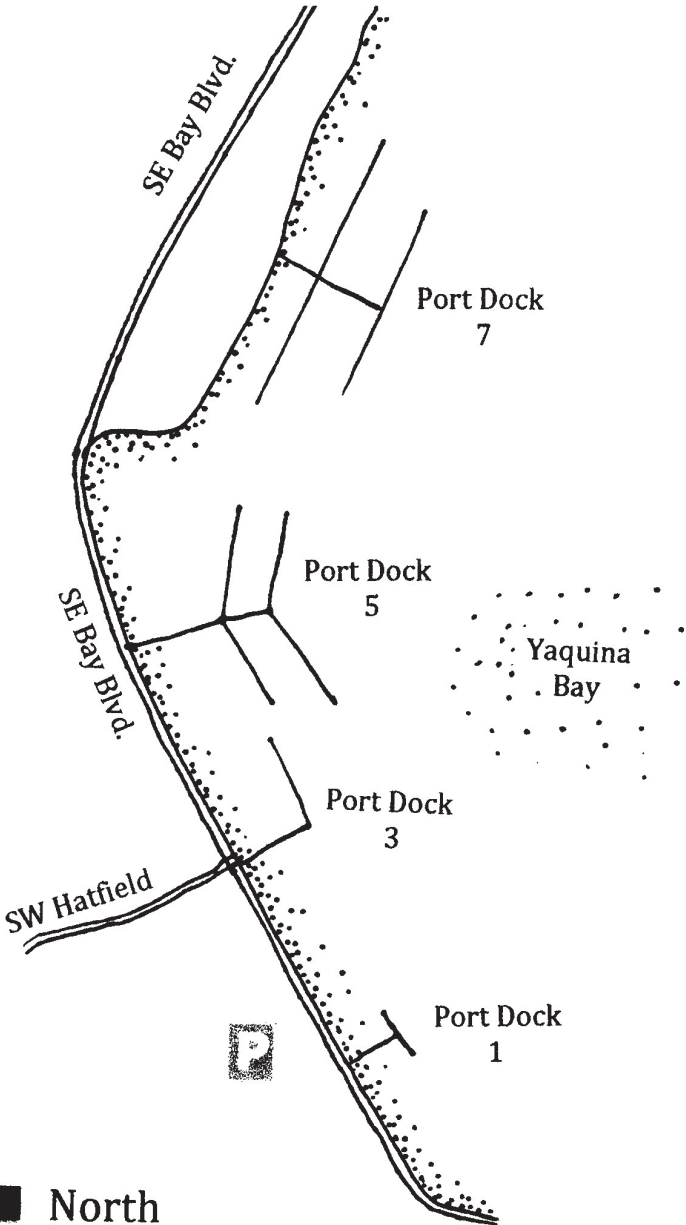
Bayfront Quest



*Scan here to download
directions for the
Bayfront Quest onto your
smart phone.*

Use this map to help you solve the following Quest!

Newport's Bayfront



Bayfront Quest

Established: July 2009 by Alexis, Alyssa, Carlos, Ciana, Connor, Dyana, Emma, Faith, Gavin, Killian, and Taco, with help from Laura and Cait. Rhymes created July 2010 by Laura, Mike, and Brennan Archer.

Box Monitor: The Port of Newport

This Quest takes place at Newport's historic Bayfront, and it highlights the local commercial fishing industry. Students (ages 10-12) attending a Quest-building day camp at the Hatfield Marine Science Center created the Quest route and directions. The Archer family provided the rhyming verses. We would like to thank the Port of Newport, Local Ocean Seafoods, Oregon Sea Grant Extension, and Schiewe Marine Supply for the tours and interviews they gave that helped us learn about the working waterfront.

The Bayfront Quest traverses level boardwalks and paved sidewalks, and takes about 45 minutes, round-trip, to complete. To begin, park in the public lot behind the Mariner Square shops, or along Bay Blvd., near Port Dock I. Follow the directions and collect the letter clues to fill the numbered squares on page 105.

Walk through the arch to Port Dock 1;
here you'll find lots of fun.
Lean over the edge; what do you hear?
Big marine mammals lie under the pier.

What mammals are these,
trying to soak up the sun?
Read the signs, please;
your Quest has begun.

The first letter of the state
from which they come
happens to be your
clue number 1.



Did You Know?

Typically, only males of this species come to Newport's Bayfront. The females stay in California.

Look closely, and you will see
a forehead bump called the sagittal crest.
It forms on males at least 5 years old;
younger than that, no bump—no jest!

Go back to the street
and cross where it's best
(in the crosswalk, of course!).
Now continue your Quest.

Go toward Waxworks,
then look up to your right.
High up on the wall
will be such a sight!

A whale of a tale
is painted on the wall.
What is its name?
Can you recall?

The artist signed the painting,
as is typical to do.
The first letter of his name
is clue number 2.

Now continue your walk
past buildings sea-green.
Watch out for the traffic;
make sure you are seen!

Small, mighty vehicles
carry loads and make tracks
from the buildings to trucks
awaiting fish packs.

The blue buildings are
where they process the fish.
Boats bring it to sell
to markets, and then to your dish!

Question for the Curious:

What's the difference
between sea lions and
seals?

*The answer is in the Quest
Box at the end of your
journey!*

Some fish is frozen,
some is bought fresh;
some is used as bait,
and we eat the rest.

Cross SW Hatfield Drive.
Turn right and cross Bay.
Look down the alley;
what does that sign say?

FRESH CRAB, it is here;
but what kind, do you think?
Newport is famous for
this crab that turns pink.

This tasty crustacean
is a treat from the sea.
The third letter of its name
is clue number 3.

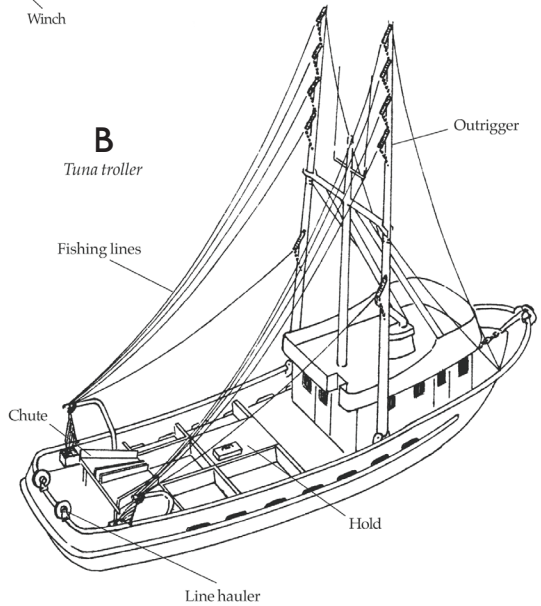
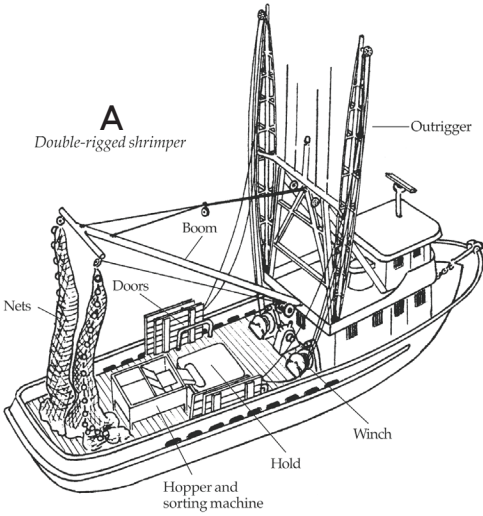
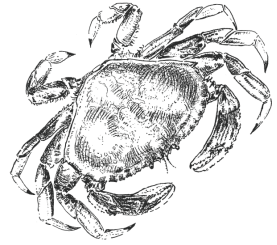
Walk left on the wooden boardwalk.
Look at the boats on your right.
This is a working waterfront;
it's busy all day and all night.

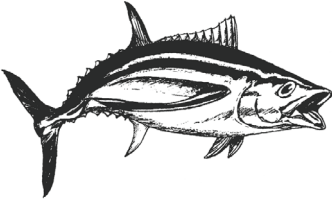
Commercial fishing in Newport
brings in money at a rate
that surpasses the tourism industry.
It's one of the largest ports in the state.

Draw a line to match the animal to the vessel that catches it.

Artist: Herb Goblirsch

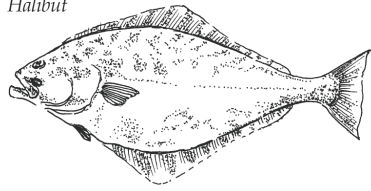
Dungeness crab



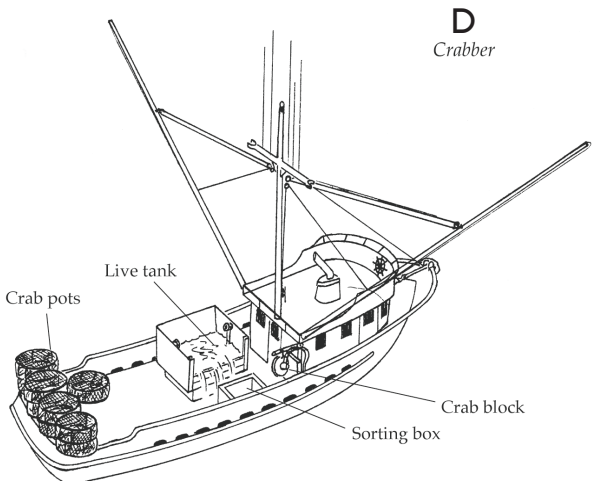
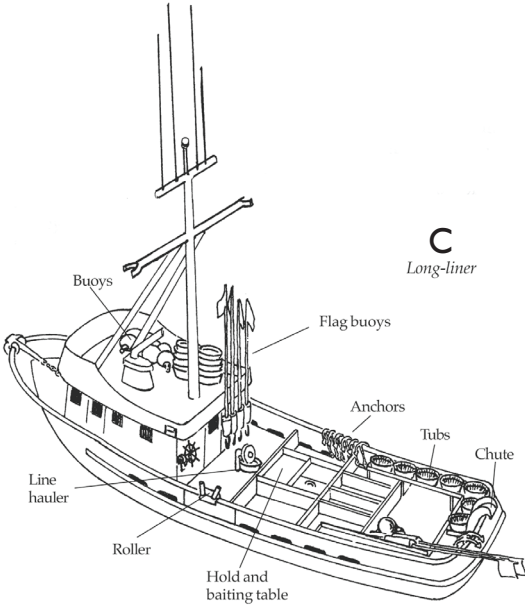
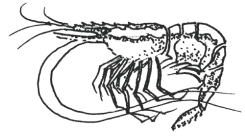


Albacore tuna

Halibut



Pacific pink shrimp



As you walk, look out at the boats once again. Can you name some of the catch these vessels bring in?

Crab, tuna, halibut, pink shrimp, and rockfish, too. Lingcod, Pacific whiting, salmon and sablefish, to name a few!

Along the bayfront there are stores and shops. Fishermen can buy supplies or put up their feet for a stop.

Now find the arch that says “Port Dock 5.” Use the pictures on the previous pages to ID the boats before your eyes.

Can you see a long-liner? What about a shrimping boat? Some boats may be rigged for tuna; some hold crab pots afloat.

Some vessels may have more than one type of gear. This makes it easier to keep fishing all year.

Look at the drawings (next page). Find the trawler with wooden “doors.” It also has a big net that it uses offshore.

What kind of seafood does this boat pursue? The letter next to this boat is your number 4 clue.

Question for the Curious:

What’s the difference between a trawler and a troller?

The answer is in the Quest Box at the end of your journey!

Continue heading east on the wooden boardwalk. Cross the driveway, look down, find the special sidewalk:

Clue number 5 is painted low on the green box; that is closest to the beginning of the Memorial Walk.

The job of a fisherman is a dangerous one to do. Survival suits are on board, just in case; there’s one for each of the crew.

We lose two or three fishermen each year. Engraved in this sidewalk are names we hold dear.



Follow the names to the sign
for the seventh dock on the bay.
The most common vowel on the sign
is clue number 6, Hooray!

Turn right at the sign
to see quite near
a parking lot full
of crab pots and gear.

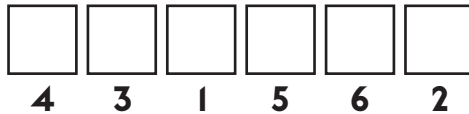
These traps are lowered
to the sandy sea floor,
where unsuspecting crabs
walk in through a door.

Look closely at a crab pot.
See a line and a float.
The markings and colors
match up to a certain boat.

Usually crab season
begins December 1st.
Crabbers catch them then quickly
'til their boats almost burst!

At the Port of Newport office,
stand out in front.
Find the object you've spelled
and next to it, hunt!

When you've found the Quest Box,
stamp your book; sign your name.
Then re-hide the box
so others can play this game.



Stamp page 207 of this book to record your find!